

H50 耐高温中型 h50

HI-TEMP MEDIUM DUTY

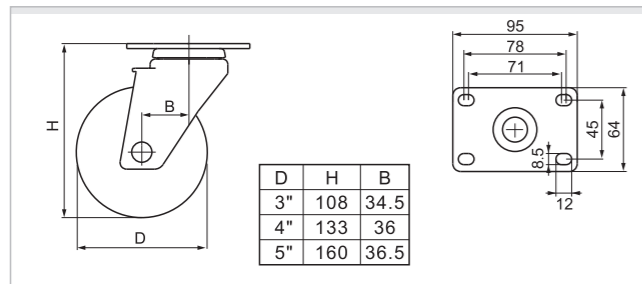
载重 Load
90-120kg



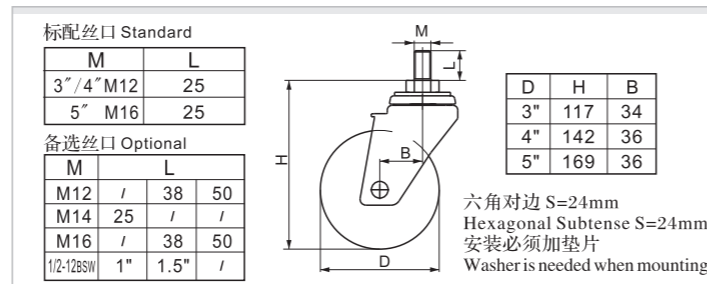
脚架说明 Frame Instruction

- 材料: 冷轧板 方板厚: 4mm 支架厚: 2mm
Material: cold-rolled plate Plate thickness: 4mm Bracket thickness: 2mm
- 螺丝孔: $\phi 3/8$ " Inch
Screw hole: $\phi 3/8$ " Inch
- 支架宽度: 41mm
Bracket width: 41mm

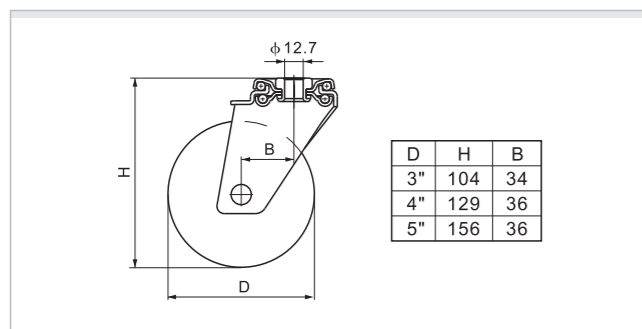
平顶安装尺寸图 Plate Mounting Instruction



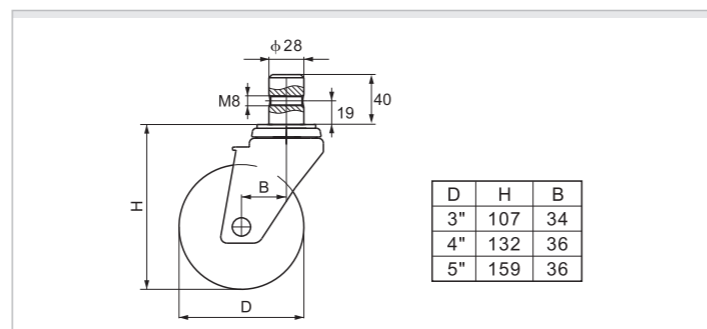
丝口安装尺寸图 Thread Mounting Instruction



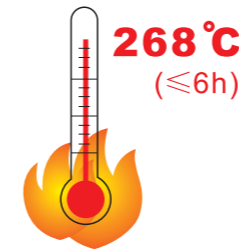
空颈安装尺寸图 Bolt hole Mounting Instruction



插杆安装尺寸图 Stem Mounting Instruction



H50脚架货号说明 Frame Item No. Instruction

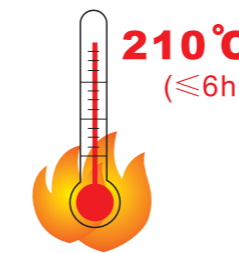


规格 Size	定向 Rigid	平顶万向 Plate Swivel	丝口万向 Threaded Swivel	插杆万向 Stem Swivel	
3"	H50103	H50113	H50133	H50153	
4"	H50104	H50114	H50134	H50154	
5"	H50105	H50115	H50135	H50155	

H50标配轮子货号说明 Wheel Item No. Instruction

图片 Photo	轮子货号 Wheel item no.	规格 Size				Kg	芯子材料 Core	胎面材料 Tread	滚动轴承 Bearing	适用温度 Applicable temperature	胎面硬度 Hardness
	H503-H4	3"	75			90		HP 耐高温	滚轴 Sleeve	268°C	67D
	H504-H4	4"	100	30	41	100	/				
	H505-H4	5"	125			120					

h50脚架货号说明 Frame Item No. Instruction



规格 Size	定向 Rigid	平顶万向 Plate Swivel	丝口万向 Threaded Swivel	插杆万向 Stem Swivel	空颈万向 Bolt Hole Swivel	
3"	h50103	h50113	h50133	h50153	h50173	
4"	h50104	h50114	h50134	h50154	h50174	
5"	h50105	h50115	h50135	h50155	h50175	

h50标配轮子货号说明 Wheel Item No. Instruction

图片 Photo	轮子货号 Wheel item no.	规格 Size				Kg	芯子材料 Core	胎面材料 Tread	滚动轴承 Bearing	适用温度 Applicable temperature	胎面硬度 Hardness
	h503-h4	3"	75			90		HP 耐高温	滚轴 Sleeve	210°C	67D
	h504-h4	4"	100	30	41	100	/				
	h505-h4	5"	125			120					